

mody

ELECTRIC SUBMERSIBLE SLUDGE / NON-CLOG PUMP

NCT/C SERIES

PORTABLE ELECTRIC
SUBMERSIBLE PUMP
FOR
CORROSIVE & ABRASIVE
APPLICATIONS

Model NC 06350 T/C
3" or 4" HOSE (FLANGE OPTIONAL)
(Low Volume - Low Head)

Model NC 08350 T/C
4" HOSE (FLANGE OPTIONAL)
(Medium Volume - Medium Head)

Model NC 10350 T/C
4" HOSE (FLANGE OPTIONAL)
(High Volume - High Head)

Available 6 HP to 10 HP



SLUDGE / NON-CLOG SERIES ADVANTAGES

- Thermal Protectors embedded in motor winding for maximum reliability.
- The pump incorporates a semi-recessed torque flow impeller with a capability of handling solids upto a size of 60 MM. Standard Impellers are in AISI 410 hardened to HRC 50/55(approx.) For handling abrasive particles. The pumping takes place by the impeller inducing a rapidly rotating vortex with a consequent pressure rise in the fluid. As a result most of the solids in the fluids do not come into contact with the impeller. The impeller is also available in AISI 304 for corrosive applications.
- 431 Stainless Steel Shaft, 410 hardened Impeller and 304SS Hardware for maximum corrosion resistance.
- Choice of impeller materials :
 - 1) 304 Stainless Steel for sea water and corrosive applications and;
 - 2) Hardened 410 Stainless Steel (HRC 50-55) for abrasive applications.
- Patented twin seals in tandem of Tungsten Carbide v/s Tungsten Carbide.
- Mechanical Seals in wholly enclosed pressure compensated oil chamber to optimise seal life
- Replaceable Nitrile Rubber-lined Wear Plate optimizes efficiency throughout the life of the pump.

CE



mody industries (F.C.) pvt. ltd.

Regd. Office & Factory :

Plot No. C-41, Road, #34, Wagle Industrial Estate, Thane - 400 604.

Tel.: (022) 2581 1644, (022) 2582 3850 Fax : (022) 2582 8217

Email : sales@modypumps.com

Branch Office :

203, Bakshi House, 40-41 Nehru Place, New Delhi 110 019.

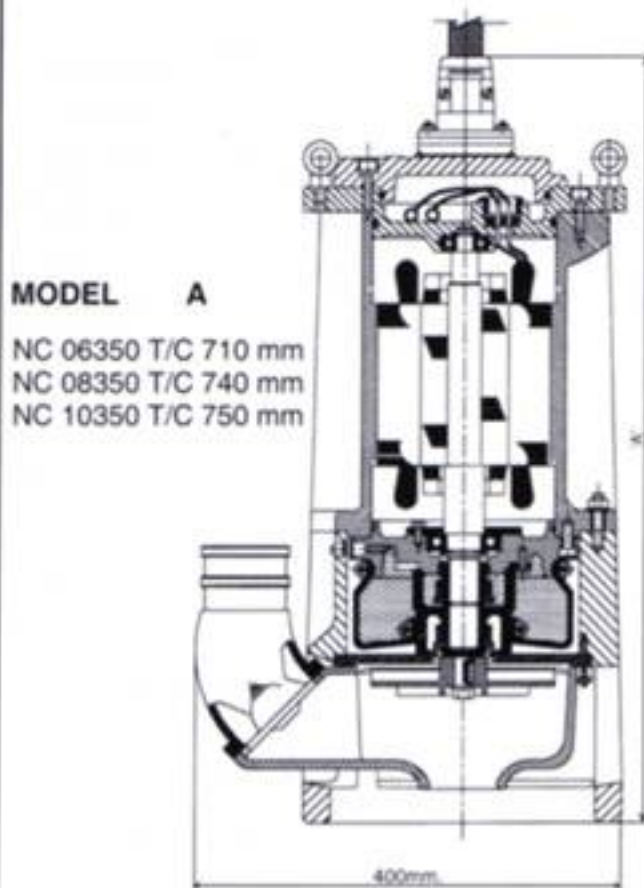
Tel.: (011) 2644 4668, 2622 9512 Fax : (011) 2646 4228

Website : www.modypumps.com

mody

ELECTRIC SUBMERSIBLE SLUDGE / NON-CLOG PUMP

SLUDGE / NON-CLOG SERIES

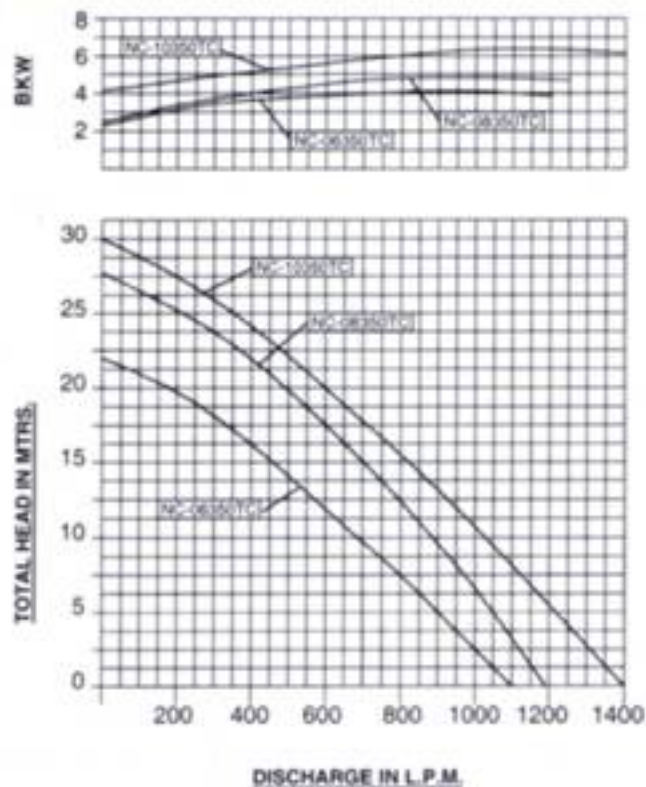


MODEL A

NC 06350 T/C 710 mm
NC 08350 T/C 740 mm
NC 10350 T/C 750 mm

Max. Sphere size 60mm

PERFORMANCE CURVE



SLUDGE / NON-CLOG SERIES

MATERIALS OF CONSTRUCTION AND ENGINEERING DATA

MOTOR

2-Pole Induction Continuous rated motor with squirrel cage rotor. The winding is equipped with bi-metallic switches to protect against overheating of Stator.

Stator insulation class 'F' (155°)

Speed : 2800 RPM (approx)

Power Rating :

NC06350T/C

4.5 KW

Current At 415 volts : 9.8 Amps,

Max temperature of the pump liquid : 40°C.

Max start/stop per hour : 15.

NC08350T/C

6.0 KW

12.0 Amps.,

NC10350T/C

7.5 KW

15.5 Amps.

POWER SUPPLY

415V±6%, 3 Phase, 50 Hz±3%, AC Supply. It is also available for any combination of voltage and frequency on special request.

BALL BEARINGS

The rotor shaft is carried in two ball bearing. The lower bearing is a double row angular contact bearing capable of carrying high thrust & radial loads. The upper bearing is a deep groove single row ball bearing. The bearings are filled with high temperature grease containing special anti-corrosive additive ensuring no maintenance required for life.

POWER CABLE

Water proof / Oil proof. EPR insulated, copper conductor flexible 6 core cable of size 4core 2.5 sq mm + 2 core 1 sq. mm, 15 mtrs. Length.

(Out of 6 cores, 3 are for power supply, 2 for connection of bi-metallic thermal switches to control panel & 1 for positive earthing.) The cable is fitted with a strain relief grip.

SHAFT SEAL

Twin mechanical seals in Tandem. Seal faces of Tungsten carbide v/s Tungsten carbide ensure long life between service intervals and are wholly enclosed in a pressure compensated oil chamber.

MATERIALS OF CONSTRUCTION :

Description	Material	Specification
Stator casing	: Cast Iron	IS : 210 - Grade FG 200
Pump Cover	: Cast Iron	IS : 210 - Grade FG 200
Pump Volute	: Cast Iron	IS : 210 - Grade FG 200
Impeller	: Stainless Steel	AISI 410-Hardened.
Wear Plate	: Rubber lined-CI	-
Rotor shaft	: Stainless Steel	AISI 431
Hardware	: Stainless Steel	AISI 304

SURFACE TREATMENT

Primer coat subsequently painted with black chloric paint for max. Corrosion protection.

SUBMERGENCE

Submergence below liquid surface min 100 mm, max. 15 mtrs

WEIGHT	NC06350T/C	NC083050T/C	NC10350T/C
Without cable :	108 kg.	119 kg.	125 kg.

(OPTIONAL ITEMS LISTED ARE AVAILABLE AT EXTRA COST)

Due to product development, specifications may be subject to change.